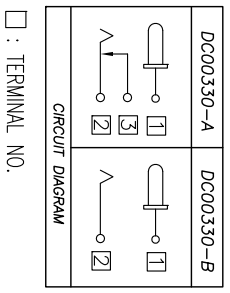
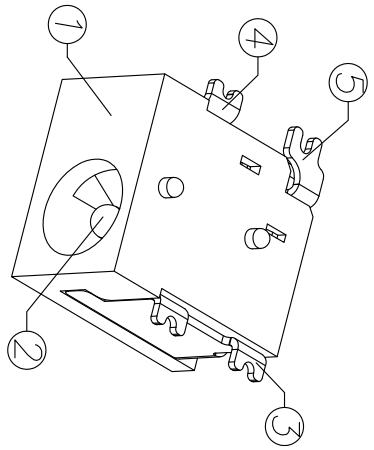
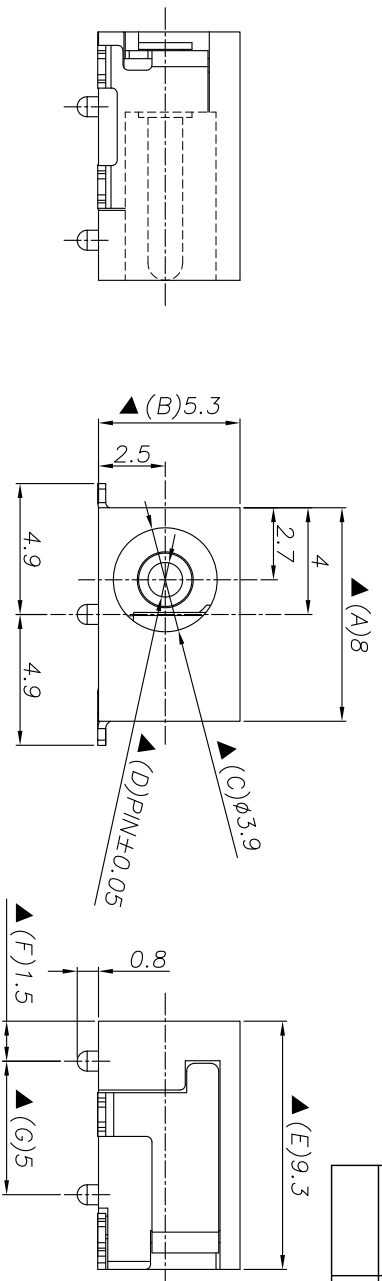
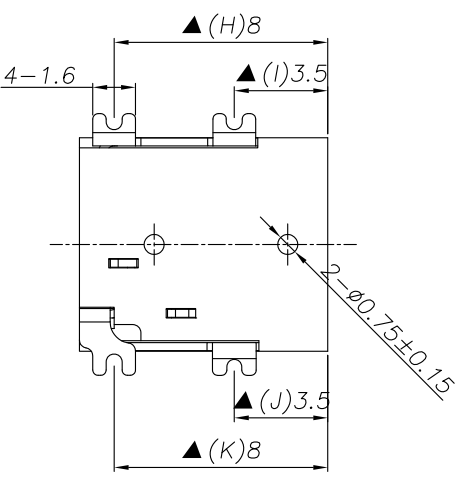


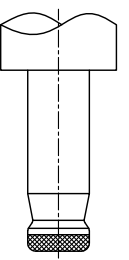
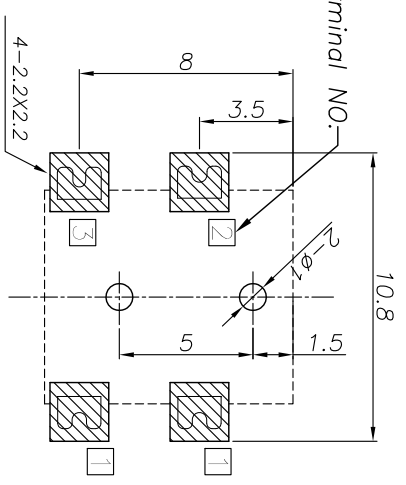
REV. LTR.	DESCRIPTION	SIGN	DATE



□ : TERMINAL NO.



P.C.B Layout
(Copper-sided view)



DC MATE PLUG(彈片式)

Model No.	DC00330-C	DC00330-E
PIN	φ1.0	φ1.3

SPECIFICATION

1. Rating : DC 18V 3A;
2. Contact resistance: $\leq 30m\Omega$;
3. Insulation resistance: $\geq 100M\Omega$ (DC250V);
4. Withstand voltage: 500VAC ;
5. Insertion and extraction force: 3-30N;
6. Life test: 5,000 cycles;
7. Sign "▲" is importance dimension.

NO.	DESCRIPTION	QTY	MATERIAL	PART NO.	PLATING
⑤	Shunt terminal	1	Brass t=0.3	DC00330-03	Silver plating
④	Tip spring	1	Phosphor bronze t=0.3	DC00330-02	Silver plating
③	Center pin terminal	1	Brass t=0.3	DC00330-01	Silver plating
②	Center pin	1	Brass	DC00330-99C/99E	CuSn/Ni plating
①	Housing	1	PA9T, UL94V-0	DC00330-S1	

UNIT:MM	TYPE:	MODEL NO.:	PAPER NO.:	A4	PAGE 1 OF 1
	DC POWER JACK	DC00330-	TOLERANCE	±0.3	ANGLES
				±2°	SCALE
				FULL	VER
					0

DESIGNER BY:	Li Wenhui	2009.11.23	丞永實業有限公司 BLUE SOURCES ELECTRONICS CO.,LTD.
CHECK BY:			
APPROVED BY:			